



Thermasheath®-3

Wall Insulation

MANUFACTURER

Rmax
13524 Welch Road
Dallas, Texas 75244-5291
Phone - 972-387-4500 800-527-0890 (Central)
800-845-4455 (Eastern) 800-762-9462 (Western)
Email: rmax@rmaxinc.com
Web Site: www.rmaxinc.com

PRODUCT DESCRIPTION

Rmax Thermasheath-3 is a rigid foam plastic thermal insulation board composed of polyisocyanurate foam core bonded to reinforced aluminum foil facers on each side. Thermasheath-3 utilizes a CFC-, HCFC- and HFC-free blowing agent that has zero Ozone Depletion Potential (ODP) and negligible Global Warming Potential (GWP). This insulation is suitable for use in walls and some limited roofing applications in new construction for commercial, residential, agricultural and industrial buildings and in thermal retrofit construction within existing buildings.

Thermasheath-3 is available in standard four (4) foot wide panels. Standard panel lengths are eight (8) or nine (9) feet. Custom length panels are available for special orders. See "Thermal Properties" for standard thicknesses and thermal resistance values of Thermasheath-3. **Thermasheath-3 can also be manufactured to an R6 and R13 upon request.**

Thermasheath-3 is shipped in bundles that are approximately 48" high and wrapped in plastic for easy handling.

APPLICABLE STANDARDS

Thermasheath-3 is manufactured to conform to the physical property requirements of Product Specification ASTM C1289, Type I.

Thermasheath-3 conforms to the International Building Code (ICC) Chapter 26 Section 2603, Foam Plastic.

APPLICATION / INSTALLATION

Stud Wall Construction - Thermasheath-3 applied to the exterior face of wood or metal studs to cover all studs, sills, plates and header constructions provides a layer of continuous insulation (ci) over details not normally covered by insulation products. Thermasheath-3 may be secured to the studs with bugle-head screws, galvanized roofing nails, or common nails driven through cap washers.

Thermasheath-3 may be applied to the interior face of studs, metal or wood, to cover the interior face of these framing members. Thermasheath-3 may be secured with bugle-head screws, galvanized roofing

nails, or construction adhesives. Thermasheath-3 must be covered with a minimum 1/2" gypsum wallboard interior finish.

Exposed Timber Beam Construction - Install Thermasheath-3 to the top of the wood roof deck, overlay with plywood, waferboard or OSB and apply shingles or roof tiles per manufacturer's installation instructions.

Vaulted Ceiling Construction - Thermasheath-3 may be applied to the inside face of the roof rafters in vaulted ceiling construction to increase the R-value of the roof. Simply nail the Thermasheath-3 to the face of the rafter and cover with gypsum wallboard and finish.

Re-Siding Construction - Thermasheath-3 is applied over existing sound and solidly attached siding. It is then covered with a suitable new siding of aluminum, vinyl, wood or wood fiber based products. Thermasheath-3 is secured with galvanized nails of sufficient length to penetrate the old sidings and sheathings below by at least one inch into the existing wall studs.

Exterior Stucco Construction - Thermasheath-3 may be used as the insulative sheathing under hard coat stucco finishes. First, cover the Thermasheath-3 with a suitable separation layer such as an organic or inorganic felt. Then, attach conventional metal wire lath and expansion joints with appropriate fasteners as dictated by the local building code. Thermasheath-3 may be secured to the studs with bugle-head screws, galvanized roofing nails, or common-nails driven through cap washers. Rmax does not recommend the direct attachment of stucco, portland cement or polymer-modified types, directly to the facer of the insulation product. Consult stucco manufacturers for details.

Cavity Wall Construction - Thermasheath-3 is secured to the dry face of the masonry block wall with a quality grade adhesive. Thermasheath-3 can be cut by simple methods to fit between masonry joint reinforcements placed to tie the brick veneer to the concrete block back-up. Thermasheath-3 is an excellent cavity insulation product fitting between the masonry block and finished brick veneer of any residential or commercial product.

Brick Veneer - Exteriors of brick veneer must be laid on a solid brick ledge from the foundation. Brick veneers must be properly tied to the stud wall with masonry wall ties as required by the building codes. The Thermasheath-3 insulation may be installed horizontally in strips to allow the wall ties to extend beyond the face of the insulation leaving the proper air spaces as required.

Thermasheath®-3 - Wall Insulation

Masonry Wall Construction - Thermasheath-3 is applied to either the exterior face or interior face of concrete or concrete masonry walls to provide an insulation layer over the entire surface.

Thermasheath-3 may be secured to the inside face of a concrete or concrete masonry wall, over or under the furring, and covered with a minimum 1/2 inch gypsum wallboard interior finish.

Adhesives may be used to hold the Thermasheath-3 in place against the wall temporarily. However, permanent attachment of the Thermasheath-3, furring, or gypsum wallboard with adhesives is not acceptable. The gypsum wallboard must be secured with suitable screws or nails.

Roofing Construction - Thermasheath-3 is laid over a suitable roof deck such as tongue-and-groove timber, plywood or metal deck and covered with a suitable layer of plywood. Asphalt or wood shingles, concrete or clay tiles or standing seam metal roof may be installed over the insulated roof deck according to the roofing system instructions.

NOTE: All Rmax products must be tarped, placed on skids, and kept dry before and throughout construction.

WARRANTY

See "Sales Policy" for warranty conditions. Rmax does not assume any responsibility or liability for the performance of any products other than those manufactured by Rmax.

WARNING – DO NOT leave Thermasheath-3 exposed. Polyisocyanurate foam is an organic material which will burn when exposed to an ignition source of sufficient heat and intensity, and may contribute to flames spreading. Installations utilizing Rmax Thermasheath-3 must be fully protected on the interior side of walls and roofs by a minimum of 1/2 inch gypsum wallboard or equivalent. Masonry or concrete that is a minimum of one-inch thick or plywood that is a minimum of 1/2 inch thick or wood

that is a minimum of one-inch nominal thickness is recognized as a suitable thermal barrier. Consult the Local Building Official for specific governing codes and requirements.

NOTE: The interior and/or exterior of the wall system should be protected with a suitable vapor retarder, if required, based on location and climate zone.

LIMITATIONS

Thermasheath-3 is not recommended, nor warranted, for use as a commercial roofing insulation for use directly under membrane systems. See Rmax for suitable commercial roofing insulation products.

Thermasheath-3 is not a structural panel. Stud walls insulated with Thermasheath-3 must be properly braced for lateral loads according to the requirements of the local building codes.

AVAILABILITY

Thermasheath-3 is manufactured in the U.S. and is available through an extensive distribution network. Contact Rmax Sales for product availability, nearest distribution center and pricing information.

TECHNICAL DATA

TYPICAL PHYSICAL PROPERTIES¹:

Property	Test Method	Results
Density, Overall, Nominal	ASTM D1622	2.0 pcf
Compressive Strength	ASTM D1621	16 psi (Min.)
Flame Spread, Core ²	ASTM E84	75 or less
Smoke Developed, Core ²	ASTM E84	< 450
Water Vapor Transmission	ASTM E96	< 0.3 perm
Water Absorption	ASTM C209	< 1% Vol.
Dimensional Stability	ASTM D2126 7 days, 158°F, 98% rh	< 2% Linear Change
Service Temperatures		-40°F to +250°F

¹Physical Properties shown are based on data obtained under controlled conditions and are subject to normal manufacturing tolerances.

²Flame spread numbers are shown for comparison purposes only and are not intended to represent the performance of Thermasheath-3 and related components under actual fire conditions.

THERMAL PROPERTIES/PRODUCT DATA

Thermasheath-3 can also be manufactured to an R6 and R13 upon request, in addition to the below values.

"R" means resistance to heat flow. The higher the R-value, the greater the insulating power

Nominal Thickness	Thermal ¹ R-Value	Bundle Data (48" x 96")		Truckload Data (48" x 96")	
		Pieces	Sq. Ft.	Pieces	Sq. Ft.
1.0"	5.9	48	1,536	1,152	36,864
1.25"	7.7	38	1,216	912	29,184
1.5"	9.4	32	1,024	768	24,576
1.75"	11.2	27	864	648	20,736
2.0"	12.9	24	768	576	18,432
2.25"	14.7	21	672	504	16,128
2.5"	16.4	19	608	456	14,592
2.75"	18.2	17	544	408	13,056
3.0"	19.9	16	512	384	12,288
3.25"	21.6	14	448	336	10,752
3.5"	23.3	13	416	312	9,984
4.0"	26.8	12	384	288	9,216
4.5"	30.3	10	320	240	7,680

¹Thermal values are determined by using ASTM C518 test method at 75°F mean temperature on material conditioned according to PIMA Technical Bulletin No. 101.

Figure 1 - Thermasheath[®]-3 Applied Over Stud Walls

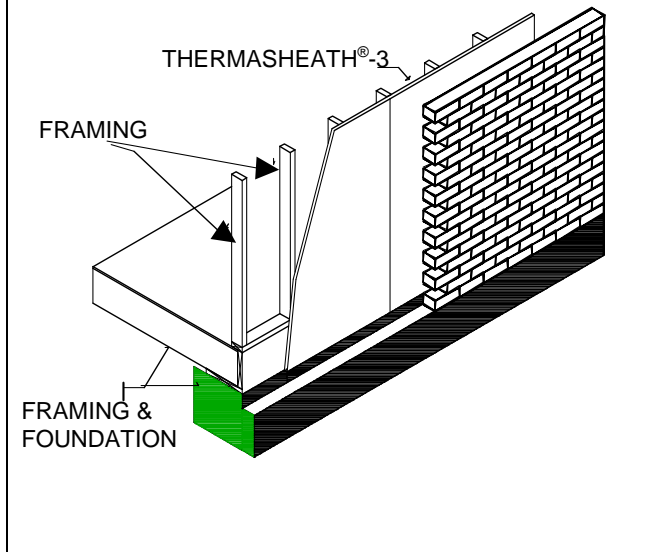


Figure 2 - Thermasheath[®]-3 Applied Over Concrete Masonry and Brick Veneer Walls

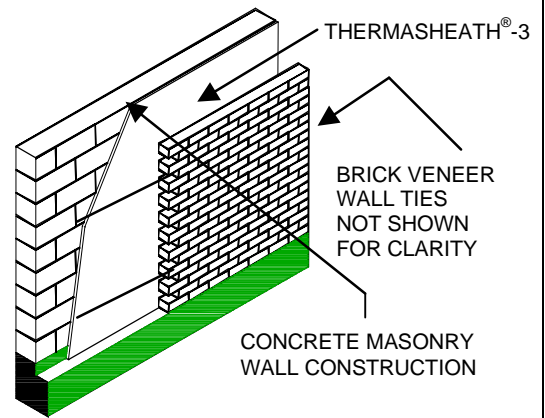
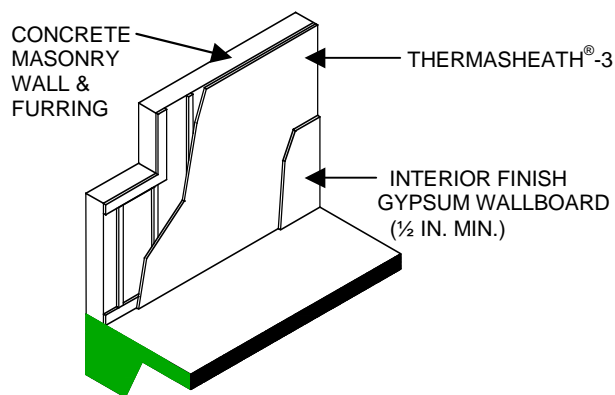
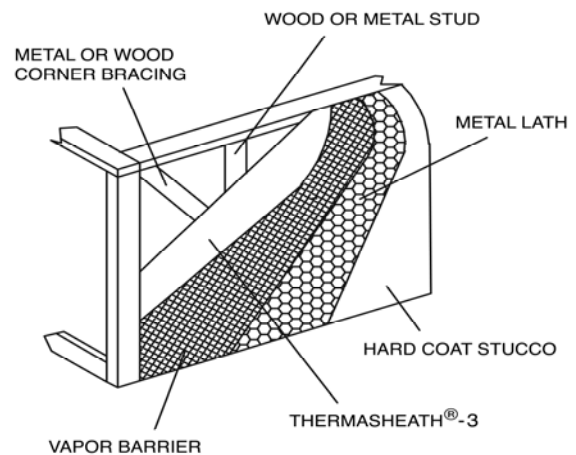


Figure 3 - Thermasheath[®]-3 Applied To Interior Side Of Concrete Masonry Walls



Note: Thermasheath[®]-3 may be applied to the masonry wall and the furring strips applied over the Thermasheath[®]-3.

Figure 4 - Thermasheath[®]-3 Applied Under Hard Coat Stucco



Corporate & Sales Office

Rmax, 13524 Welch Road, Dallas, Texas 75244-5291
 • (972) 387-4500 • (800) 527-0890 • Fax: (972) 387-4673
 • Email: rmax@rmaxinc.com • Web Site: www.rmaxinc.com

Plant Locations

- Dallas, Texas (800) 527-0890 (Central)
- Greer, South Carolina (800) 845-4455 (Eastern)
- Fernley, Nevada (800) 762-9462 (Western)

SALES POLICY

(04-08)

LIMITED WARRANTY

Notwithstanding anything herein to the contrary, neither Rmax Operating, LLC, nor any of its employees representatives, agents or other affiliates (collectively, "Rmax") makes any representation or warranty whatsoever, whether express or implied, concerning the Product, except that the Product was manufactured in accordance with specifications set forth in ASTM C1289, at the time of purchase is free from any lien or encumbrance, and, for a period of one (1) year from the date of delivery of the Product, is free from defects in materials and workmanship. BUYER ACKNOWLEDGES AND AGREES THAT, EXCEPT AS PROVIDED ABOVE, THE PRODUCT IS BEING DELIVERED IN AN "AS IS, WHERE IS" CONDITION, AND WITH ALL FAULTS. RMAX, HEREBY DISCLAIMS, AND BUYER HEREBY WAIVES, ANY AND ALL OBLIGATIONS AND LIABILITIES OF RMAX AND RIGHTS, CLAIMS, AND REMEDIES OF BUYER AGAINST RMAX, WHETHER EXPRESS OR IMPLIED, AND WHETHER ARISING BY LAW OR OTHERWISE, INCLUDING, WITHOUT LIMITATION, IMPLIED WARRANTIES OF MERCHANTABILITY OR FITNESS FOR A PARTICULAR PURPOSE, IMPLIED WARRANTIES ARISING FROM COURSE OF PERFORMANCE, COURSE OF DEALING, AND USAGE OF TRADE, ANY WARRANTY WITH REGARD TO ANY CLAIM OF INFRINGEMENT THAT MAY BE PROVIDED IN SECTION 2.312(c) OF THE UNIFORM COMMERCIAL CODE, AND ANY AND ALL LIABILITY WITH RESPECT TO THE PRODUCT OR SERVICES PERFORMED OR PROVIDED BY RMAX. THERE ARE NO WARRANTIES WHICH EXTEND BEYOND THE DESCRIPTION ON THE FACE HEREOF. THE WARRANTIES EXPRESSED HEREIN ARE EXCLUSIVE AND ARE GIVEN IN LIEU OF (I) ANY AND ALL OTHER WARRANTIES EXPRESS OR IMPLIED, AND (II) ANY OBLIGATION, LIABILITY, RIGHT, CLAIM OR REMEDY, IN CONTRACT, TORT OR STRICT LIABILITY, WHETHER OR NOT ARISING FROM NEGLIGENCE, ACTUAL OR IMPUTED. THE WARRANTIES EXPRESSED HEREIN SHALL BE THE EXCLUSIVE REMEDY FOR A DEFECT IN/OR DAMAGES RELATED TO THE PRODUCT.

LIMITATION OF LIABILITY AND BUYER'S REMEDIES

IN THE EVENT OF A DEFECT IN THE PRODUCT COVERED BY THE LIMITED WARRANTY SET FORTH ABOVE, RMAX SHALL, AT RMAX'S OPTION AND EXPENSE, REPAIR OR REPLACE THE DEFECTIVE PRODUCT OR REFUND THE AMOUNT PAID BY THE BUYER FOR THE DEFECTIVE PRODUCT. THE LIABILITY OF RMAX, IF ANY, AND BUYER'S SOLE AND EXCLUSIVE REMEDY FOR DAMAGES FOR ANY CLAIM OF ANY KIND WHATSOEVER, REGARDLESS OF THE LEGAL THEORY AND WHETHER ARISING IN TORT, CONTRACT, STRICT LIABILITY OR OTHER LEGAL OR EQUITABLE THEORY, SHALL NOT BE GREATER THAN THE ACTUAL PURCHASE PRICE OF THE PRODUCT WITH RESPECT TO WHICH SUCH CLAIM IS MADE. WITHOUT LIMITATION THE FOREGOING, RMAX SHALL NOT BE LIABLE FOR BUYER'S LOSS OF USE, REVENUE OR PROFIT, OR FOR ANY OTHER DIRECT, INDIRECT, INCIDENTAL, SPECIAL, OR CONSEQUENTIAL DAMAGES OF ANY KIND (INCLUDING, WITHOUT LIMITATION, LOSS OF GOODWILL OR ANTICIPATED PROFITS OR LOST BUSINESS), AND BUYER HEREBY WAIVES ANY RIGHT IT MAY HAVE TO SUCH DAMAGES.

This LIMITED WARRANTY shall not be applicable to defects or damages which, upon inspection by Rmax, are determined by Rmax to be caused by any of the following:

- Normal wear and tear;
- Intentional vandalism or abuse, or negligent use, misuse or abuse (including any usage not in accordance with the product instructions);
- Use of parts not manufactured or sold by Rmax;
- Accident or natural disasters, including, but not limited to, fire, flood, lightning, earthquake, tornadoes, hail, hurricanes, wind storms, acts of war, acts of terrorism or acts of God; or
- Improper installation, operating, handling, storage, application or design, modification, alteration, structural movement or maintenance.

Claims against Rmax under the provisions of the LIMITED WARRANTY must be made within thirty (30) days after the alleged defect to which the claim relates is discovered or should have been discovered, by written notice to Rmax at the following address: 13524 Welch Road, Dallas, Texas, 75244; Attention – Technical Services. The written notice must be accompanied by the dated invoice or receipt received by the Buyer at the time of purchase. Rmax shall have sixty (60) days from receipt of such notice to inspect and analyze the alleged defective material. Under no circumstances shall the material to be disposed or to be returned be delivered to Rmax unless the Buyer has received written instructions to do so. Buyer shall have no right to deduct the amount of any claim from Rmax's invoice until the claim is allowed or adjusted. Failure on the part of the Buyer to follow these provisions shall waive all rights under this LIMITED WARRANTY. Unless modified in writing signed by both Rmax and Buyer, this LIMITED WARRANTY is understood to be the complete and exclusive agreement between the parties, and supersedes all prior agreements, oral or written, and all other communications between the parties relating to the subject matter of this LIMITED WARRANTY. Some states and certain federal laws do not allow limitations on how long an implied warranty lasts, so such limitations or exclusions may not apply to you. In addition, some states do not allow the exclusion or limitation of incidental or consequential damages, so such limitation or exclusion may not apply to you. This warranty gives you specific legal rights, and you may also have other rights which vary from state to state.

GENERAL CONDITIONS

Descriptions, specifications, and recommendations described herein are subject to change without notice. Consult with Rmax Roofing Sales for the latest information. The design and construction of the roof deck, and supporting structure are the responsibility of the project architect, engineer, general contractor and the building owner. The selection and use of Rmax Insulation and other roofing system components to meet the requirements for a project is at the sole discretion of the owner or his designated agent or representative.

No warranty, express or implied, as to characteristics, physical properties, or performance under any variations from controlled conditions at the time of manufacture is made. These provisions may not be altered in any way by a salesperson, employee, agent, or any other representative of Rmax, except by a letter from an officer of Rmax. Rmax does not assume any responsibility or liability for the performance of any product other than those manufactured by Rmax.

ACCEPTANCE OF ORDERS

All orders are subject to acceptance by Rmax at its corporate office in Dallas, Texas and are not binding on Rmax unless so accepted. This acceptance constitutes a complete and binding contract which cannot be modified or canceled without written consent of both parties. The conditions stated herein shall take precedence over any other conditions, and no contrary, additional or different provisions or conditions shall be binding on Rmax unless accepted by Rmax in writing. An order has been accepted by Rmax when it has been acknowledged in writing or shipped. No order will be accepted or produced until the manufacturing plant has accumulated orders of at least 15,000 board feet of any one product in any one thickness. Orders of less than 15,000 board feet can only be accepted if the manufacturing plant can coordinate the order with another order of like thickness.

REVISION OF ORDERS

Change and/or cancellations of orders will be accepted providing the plant is notified five working days in advance of the requested shipping date. Notification of changes and/or cancellations must be verified in writing. On cancellations that occur after the five working day limit, the Buyer will be charged a restocking charge of 20% if the material has already been produced.

RETURN OF ORDERS

Requests to return material to Rmax's plant must be cleared in advance by Rmax's Plant Manager. Credit for approved requests to return material, when such requests are for reasons other than material of workmanship, will be issued on the basis of the price at which the goods were originally invoiced, less the actual price of re-conditioning and restocking as determined by Rmax. Such restocking charges will be no less than 20% of the invoice price of the goods. All return freight is the Buyer's responsibility.

TITLE-SHIPMENT-RISK OF LOSS

Title to all goods furnished under this contract of sale pass to the Buyer upon delivery by Rmax to the Carrier at Rmax's shipping point. All deliveries of goods are F.O.B. Rmax's shipping point, unless otherwise noted in the face of Rmax's quotation. Routing of shipments shall be at the sole discretion of Rmax, unless directed otherwise by the Buyer at the time of placing an order. Rmax makes every effort to deliver orders at the requested delivery time, however, Rmax does not guarantee time deliveries. A delay in delivery or shipment will not be accepted as a basis for charge-back or claim for damage. Charges for re-consignment, diversions, driver-assisted unloading, detention, and/or demurrage assessed by the Carrier in accordance with provisions of the Carrier's tariffs, will be the Buyer's responsibility. All risks of loss or damage during transit pass to the Buyer with the transfer of title as noted above. All claims for loss or damage in transit must be filed with the Carrier by the Buyer. Material is loaded in accordance with the Carrier's loading instructions to insure delivery without damage. Rmax will give all reasonable assistance to the Buyer in collecting loss or damage claims from Carrier's by furnishing duplicate invoices, affidavits showing count when loaded, method of loading, etc. Buyer should in all cases immediately report loss and/or damage to Carrier and request inspection in case of damage.

FORCE MAJEURE

Rmax will not be liable for damages resulting from an interruption, delay, or failure to ship any order in accordance with the terms of the order where such failure is caused by any requirements of a government agency or authority, shortage of raw materials, strikes or other labor trouble, transportation delay, breakdowns, accidents, fires, riots, wars, acts of terrorism, Acts of God, or other causes beyond the control of Rmax.

TERMS OF PAYMENT

2% ten (10) days; net thirty (30) days after date of invoice, contingent upon the Buyer having made prior satisfactory credit arrangements. Interest at the maximum rate permitted by the law will be added to all invoices not paid within thirty (30) days from the date of the invoice.

PRICE POLICY - All products will be invoiced at the price in effect on the date of shipment. In the event of a price increase, all unshipped orders accepted by Rmax prior to the effective date of the price increase shall be invoiced at the increased prices in effect at the time of shipment.

TAXES - All applicable taxes on the production, transportation, or sale of Rmax's products shall be for the Buyer's account.

SHIPPING AREAS - The fifty states of the United States of America, Mexico and Canada

SHIPPING POINTS AND MANUFACTURING PLANTS – (1) Rmax Operating, LLC; 1649 S. Batesville Road; Greer, South Carolina 29650. (2) Rmax Operating, LLC; 13524 Welch Road; Dallas, Texas 75244. (3) Rmax Operating, LLC; 210 Lyon Drive; Fernley, Nevada 89408

SHIPPING METHODS - Rmax reserves the right to choose the Carrier and routing, unless otherwise directed by the Buyer in writing at the time of placing an order. Additional costs associated with Buyer specified Carriers and/or routes shall be for the Buyer's account. The standard method of shipment shall be via forty-five (45) foot, forty-eight (48) foot, or tandem flatbed trailers, where authority allows, at Rmax's option. Stopover or pooled truckloads are permitted, but limited to one stop and a final destination. The stopover location must be in line with the final destination and not in excess of 150 miles between stops. Applicable stopover charges shall be applied to the face of the invoice.

TRUCKLOAD QUANTITIES

- 4' X 8' panels- twenty-four (24) units per forty-eight (48) foot flatbed trailer;
- 4' X 4' panels- forty-eight (48) units per forty-eight (48) foot flatbed trailer;
- Custom length panels-Orders for lengths other than those standards noted above usually cannot be accommodated on standard flatbed trailers to permit loading of the full truckload quantity required. Buyers ordering other than standard four or eight foot panels are required to order a variable item of standard length and size to fill out the load, or pay any increase in freight due to any inability to load full truckload quantity caused by nonstandard length of item(s) ordered.

SPECIAL ORDERS -No order will be accepted or produced until the manufacturing plant has accumulated orders of at least 15,000 board feet of any one product in any one thickness. Orders of less than 15,000 board feet can only be accepted if the manufacturing plant can coordinate the order with another order of like thickness.

LEAD TIMES - Lead time for the standard insulation products shall be five (5) to ten (10) working days from the receipt of the order at Rmax's manufacturing plant. Lead time for nonstandard length insulation products shall be ten (10) to twenty (20) working days from the receipt of the order at Rmax's plant. This is based upon minimum orders of 30,000 board feet. Lead time for stopover or pooled freight loads shall be as noted above except that the time shall apply only from the time that Rmax can arrange the required pool truck.

LTL SHIPMENTS

LTL shipments are permitted subject to the following conditions:

- Minimum order is approximately 15,000 board feet.
- All LTL shipments shall be invoiced at the applicable list price plus a carton charge.
- Shipments will be freight collect with all freight charges for the Buyer's account.

CUSTOMER PICKUP - Customer pickup of ordered goods shall be permitted provided that the Buyer makes prior arrangement with Rmax's Plant Order Department. The Buyer shall be required to pick up goods ordered for Customer Pickup within 48 hours of notice of availability. The minimum pickup shall be ten (10) bundles.

GENERAL PROVISIONS

This document with all attachments constitutes the entire agreement between Rmax Operating, LLC, and the Buyer and is intended as a final, complete and exclusive expression of the agreement. This agreement supersedes all prior representations, understandings and agreements. Any failure on the part of Rmax Operating, LLC to insist upon the performance of any term herein shall not be construed as a waiver or relinquishment of Rmax Operating, LLC's right to such performance and Buyer's obligation shall continue in full force and effect.

WARNING - Polyisocyanurate is an organic material which will burn when exposed to an ignition source of sufficient heat and intensity, and may contribute to flames spreading.

CHOICE OF LAW

THE AGREEMENT SHALL BE GOVERNED AND CONSTRUED IN ACCORDANCE WITH THE LAWS OF THE STATE OF TEXAS, WITHOUT REGARD TO ITS CONFLICTS OF LAW OR CHOICE OF LAW PRINCIPLES.

FORUM SELECTION CLAUSE

ANY DISPUTE ARISING OUT OF OR RELATING TO THIS TRANSACTION SHALL ONLY BE LITIGATED IN AN APPROPRIATE FEDERAL OR STATE COURT LOCATED IN DALLAS, COUNTY, TEXAS

WAIVER OF JURY

EACH PARTY HEREBY IRREVOCABLY WAIVES ANY AND ALL RIGHTS TO TRIAL BY JURY WITH RESPECT TO ANY LEGAL PROCEEDING ARISING OUT OF OR RELATING TO THIS TRANSACTION